

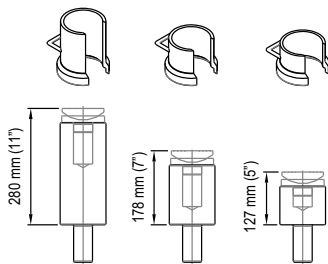
Portable High Tonnage Jacks

Capacity 30 - 200 ton / Stroke 200 - 680 mm / Max. Working Pressure 700 bar

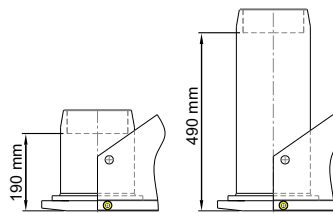


Features / Application

- Compact & Portable, Steel Alloy Construction
- Extension pieces / Bridges provided for additional reach
- Electric / Pneumatic Motor (optional)
- Manual / Remote Pendant Control valve (optional)
- Suitable at Field & Dumper workshops for removal and fitment of Rear & Front Wheels, Brakes overhaul, Final drives repairs, etc. of Heavy Mining Vehicles

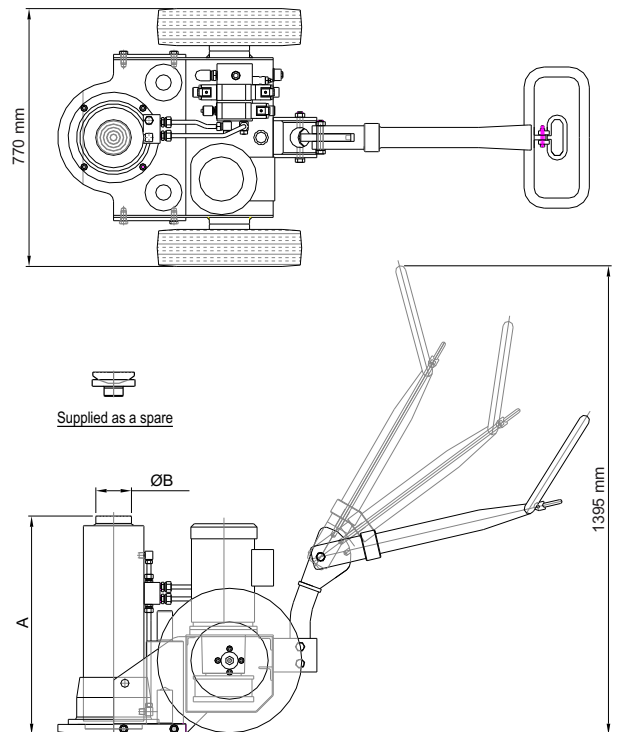


Stacking Pads and 'U' Rings



190 mm Bridge

490 mm Bridge



Supplied as a spare

OPJE Series - **O** Orione **P** Portable high tonnage **J** Jack **E** Electric **30** Capacity - ton **200** Stroke - mm

OPJA Series - **O** Orione **P** Portable high tonnage **J** Jack **A** Air **60** Capacity - ton **350** Stroke - mm

| Capacity (ton) | Capacity (kN) | Stroke (mm) | Model | Min. Height A (mm) | Saddle dia. B (mm) | Motor | Weight (kg) | Max. Ht. Using Optional Extension | | |
|-------------------|------------------|----------------|--------------|--------------------------|--------------------------|----------|---------------------|--|---------------------|------|
| | | | | | | | | Stacking pads and 'U' Rings (mm) | Bridge | |
| | | | | | | | Extension 190 mm | | Extension 490 mm | |
| 30 | 309 | 200 | OPJE 30-200 | 395 | 53 | Electric | 110.6 | - | - | - |
| 60 | 792 | 350 | OPJA 60-350 | 560 | 87 | Air | 177.3 | 1145 | 750 | 1050 |
| 60 | 792 | 680 | OPJA 60-680 | 890 | 87 | Air | 272.7 | 1475 | 1080 | 1380 |
| 60 | 792 | 350 | OPJE 60-350 | 560 | 87 | Electric | 177.3 | 1145 | 750 | 1050 |
| 60 | 792 | 680 | OPJE 60-680 | 890 | 87 | Electric | 272.7 | 1475 | 1080 | 1380 |
| 100 | 1077 | 400 | OPJA 100-400 | 600 | 106 | Air | 231.8 | 1007 | 790 | 1090 |
| 100 | 1077 | 680 | OPJA 100-680 | 900 | 106 | Air | 272.7 | 1307 | 1090 | 1390 |
| 100 | 1077 | 400 | OPJE 100-400 | 600 | 106 | Electric | 231.8 | 1007 | 790 | 1090 |
| 100 | 1077 | 680 | OPJE 100-680 | 900 | 106 | Electric | 272.7 | 1307 | 1090 | 1390 |
| 150 | 1589 | 400 | OPJA 150-400 | 610 | 136 | Air | 259.1 | 1017 | 800 | 1100 |
| 150 | 1589 | 680 | OPJA 150-680 | 905 | 136 | Air | 321.8 | 1312 | 1095 | 1395 |
| 150 | 1589 | 400 | OPJE 150-400 | 610 | 136 | Electric | 259.7 | 1017 | 800 | 1100 |
| 150 | 1589 | 680 | OPJE 150-680 | 905 | 136 | Electric | 321.8 | 1312 | 1095 | 1395 |
| 200 | 2199 | 400 | OPJA 200-400 | 635 | 146 | Air | 290.9 | On Request | 825 | 1125 |
| 200 | 2199 | 680 | OPJA 200-680 | 935 | 146 | Air | 375.0 | On Request | 1125 | 1425 |

■ Higher capacity and customized solutions on request. ■ Specifications are subject to change due to continual improvement.
 ■ Capacity and Stroke specified are maximum safe limits. As safe practice, use at 80% of rating.

Portable High Tonnage Jacks

Alloy Steel Construction - Four Point Hydraulic Jacking System For Lifting Casted Girders



Specifications

- Capacity : 75 ton (754 kN)
- Stroke : 250 mm
- Pumping unit : 5 HP Power pack
- Weight (Approx) : 530 kg
- Max. working pressure : 240 bar

Light Metal Construction - Telescopic



Features / Application

- Compact & Portable
- Construction - Light Metal
- Extension pieces provided for additional reach
- Suitable for Lifting of Rear & Front Wheels of Heavy Mining Vehicles at field & dumper workshops



Specifications

- Capacity (1st stage) : 60 ton (768 kN)
- Stroke (1st stage) : 280 mm
- Capacity (2nd stage) : 30 ton (300 kN)
- Stroke (2nd stage) : 580 mm
- Power Pack : 2 HP Single phase
- Control : Push button / Hand lever
- Weight (Approx.) : 166 kg

■ Higher capacity and customized solutions on request. ■ Specifications are subject to change due to continual improvement.
 ■ Capacity and Stroke specified are maximum safe limits. As safe practice, use at 80% of rating.